



PRODUCTS CATALOG

ELECTRICAL ENCLOSURES & MODULAR CABINETS



20

exmweb.com

LIFT OFF COVER ALUMINIUM ENCLOSURES (BOLTED FEET)

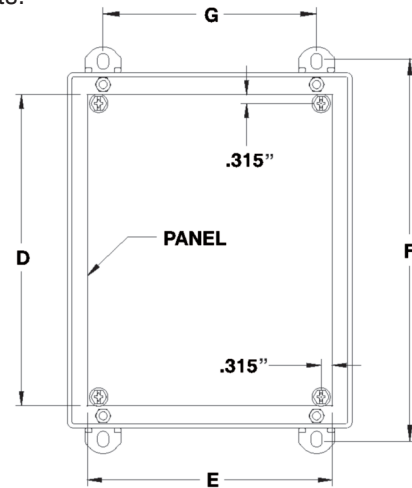
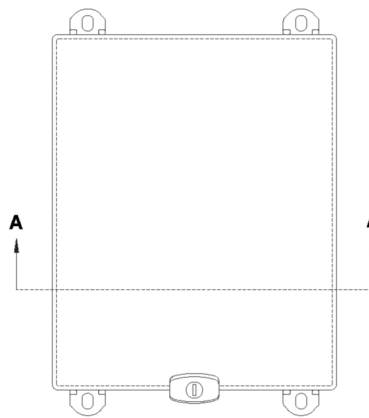
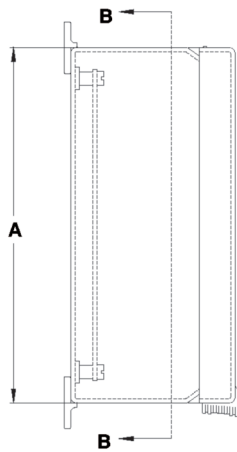
The 5412 EALLC lift off cover, water oil and dust tight enclosures are used indoors or outdoors, in areas where the enclosures may be subjected to hosing or water coming from any direction. The box and cover are made of high quality 0.080" (Type 5052 H -32) aluminium, with all seams continuously welded. A high quality, robotically poured-in-place, seamless gasket ensures a complete and durable water tight

seal. The opening has a curled lip around all sides to increase rigidity and prevent dripping water from entering when the door is open. A flange-mounted 1/4 turn lock ensures positive closing. The enclosure can be internally or externally mounted using the included die cast wall mounting feet. **Each enclosure comes complete with a 14 GA galvanized steel inner panel**, which mounts on welded nuts.

Enclosures are finished with heat fused powder paint, electrostatically applied on a pretreated base. Box is ANSI/ASA 61 smooth gray.

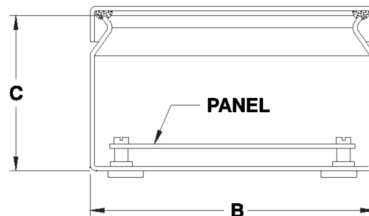
**CSA Certified / UL Listed
NEMA/EEMAC 4X / IP66**

Refer to p.734 to validate choice of substrate for the application



SECTION B-B

LOCKS : 1 LOCK IF B ≥ 12"
2 LOCKS IF B ≥ 12"



SECTION A-A

CUSTOMIZE THIS
ENCLOSURE WITH **BOXCAD**
SIZE - COLOR - CUT-OUTS

CATALOG NUMBER	DIMENSIONS							SHIP WGHT LBS.
	A	B	C	D	E	F	G	
5412 EALLC040403	4	4	3	No.Pan.	No.Pan.	4.75	2	1
5412 EALLC060403	6	4	3	4.88	2.88	6.75	2	2
5412 EALLC060404	6	4	4	4.88	2.88	6.75	2	2
5412 EALLC060604	6	6	4	4.88	4.88	6.75	4	3
5412 EALLC080604	8	6	4	6.88	4.88	8.75	4	3
5412 EALLC100804	10	8	4	8.88	6.88	10.75	6	5
5412 EALLC121005	12	10	5	10.88	8.88	12.75	8	7
5412 EALLC141206	14	12	6	12.88	10.88	14.75	10	10
5412 EALLC161406	16	14	6	14.88	12.88	16.75	12	12
5412 EALLC141208	14	12	8	12.88	10.88	14.75	10	10
5412 EALLC161410	16	14	10	14.88	12.88	16.75	12	13

